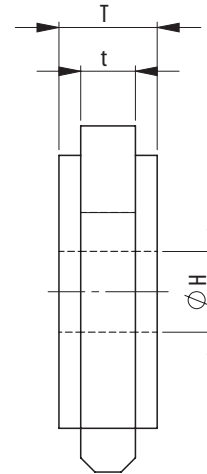
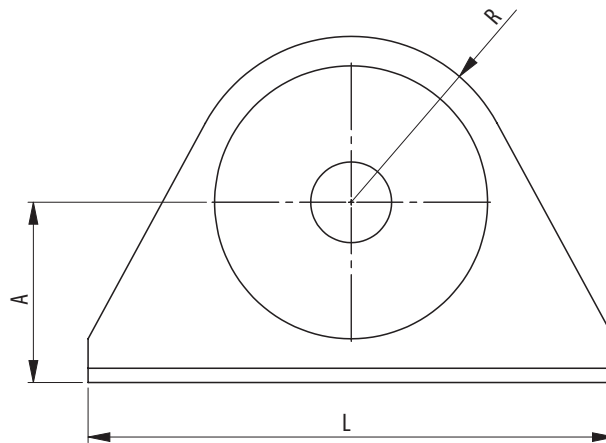
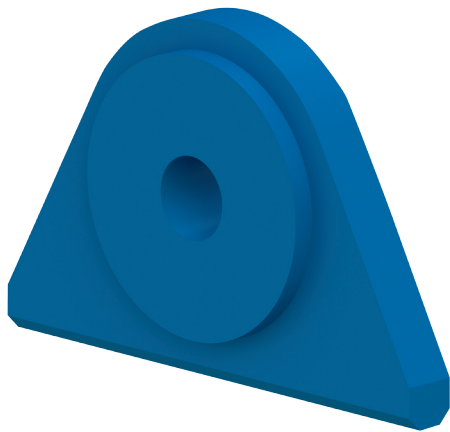


Pad eyes type S



Model No.	Stock No.	Type No.	Shackle size	WLL (t)	Wire		Dimensions (mm)						Weight (kg)
					inches	mm	L	A	ØH	R	t	T	
PE 14.11,5.1	53.001.00.0S	S	3/8	1	3/8	9 - 10	76	32	11,5	26	14	14	0,3
PE 15.13,5.1,5	53.001.50.0S	S	7/16	1,5	3/8	9 - 10	90	32	13,5	32	15	15	0,5
PE 18.17.2	53.002.00.0S	S	1/2	2	1/2	12 - 13	100	38	17	35	18	18	0,7
PE 22.20,3,25	53.003.25.0S	S	5/8	3,25	3/4	19	115	45	20	38	22	22	1,5
PE 25.23,4,75	53.004.75.0S	S	3/4	4,75	3/4	19	140	51	23	45	25	25	2
PE 30.26,6,5	53.006.50.0S	S	7/8	6,5	1	25 - 26	150	57	26	51	30	30	3
PE 35.29,5,8,5	53.008.50.0S	S	1	8,5	1	25 - 26	180	64	29,5	64	35	35	5
PE 40.33,5,9,5	53.009.50.0S	S	1 1/8	9,5	1	25 - 26	203	76	33,5	76	40	40	7,5
PE 45.37.12	53.012.00.0S	S	1 1/4	12	1 1/4	32	216	83	37	83	45	45	10
PE 50.40.13,5	53.013.50.0S	S	1 3/8	13,5	1 1/4	32	228	89	40	89	30	50	10
PE 50.44.17	53.017.00.0S	S	1 1/2	17	1 3/8	35	280	140	44	102	40	50	18
PE 60.53.25	53.025.00.0S	S	1 3/4	25	1 5/8	41 - 42	305	140	53	121	40	60	23
PE 70.60.35	53.035.00.0S	S	2	35	2	51	356	153	60	133	50	70	35
PE 90.74.55	53.055.00.0S	S	2 1/2	55	2 1/2	63 - 64	482	165	74	152	50	90	55
PE 110.87.85	53.085.00.0S	S	3	85	3	76 - 77	559	203	87	178	60	110	90
PE 120.100.120	53.120.00.0S	S	3 1/2	120	3 3/4	95 - 96	711	254	100	229	70	120	170
PE 150.114.150	53.150.00.0S	S	4	150	4	102	813	280	114	254	80	150	250

- Pad eyes will be supplied including material certificates (S355J2G3, EN 10204 3.1)
- T ≥ 75% of inside width of shackle.
- H ≤ 106% of diameter of pin.